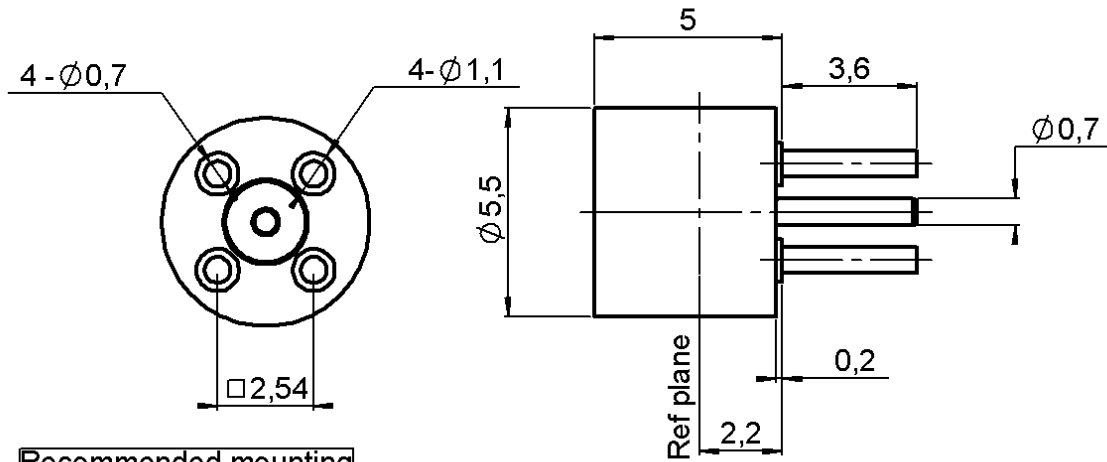


STRAIGHT MALE RECEPTACLE FOR PCB

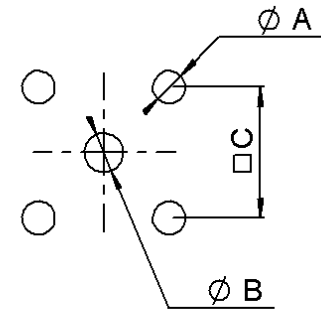
R222.426.020

SOLDER LEGS - FULL DETENT

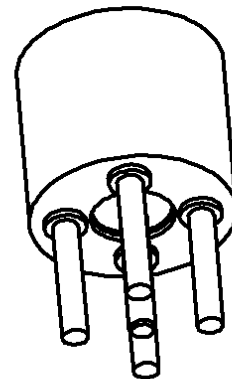
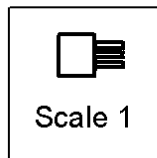
Series : SMP



Recommended mounting hole pattern



| | mini | Maxi |
|---|------|------|
| A | 0.94 | 0.98 |
| B | 0.79 | 0.86 |
| C | 2.49 | 2.59 |



All dimensions are in mm.

| COMPONENTS | MATERIALS | PLATINGS (µm) |
|----------------|------------------|----------------------------|
| BODY | STAINLESS STEEL | GOLD 0.5 OVER NICKEL 2 |
| CENTER CONTACT | BERYLLIUM COPPER | GOLD 1.27 OVER NICKEL 1.27 |
| OUTER CONTACT | | |
| INSULATOR | PTFE | |
| GASKET | | |
| OTHERS PARTS | | |
| - | - | - |
| - | - | - |

Issue : 0529 B

In the effort to improve our products, we reserve the right to make changes judged to be necessary.



STRAIGHT MALE RECEPTACLE FOR PCB

R222.426.020

SOLDER LEGS - FULL DETENT

Series : SMP

PACKAGING

SPECIFICATION

| Standard | Unit | Other |
|------------|-------------------|-------------------|
| 100 | 'W' option | Contact us |

ELECTRICAL CHARACTERISTICS

ENVIRONMENTAL

| | | |
|---------------------------------|----------------|------------------------------|
| Impedance | | 50 Ω |
| Frequency | | 0-12 GHz |
| VSWR | 1.15* + | 0.000 x F(GHz) Maxi |
| Insertion loss | | 0.12* √F(GHz) dB Maxi |
| RF leakage | - (| - F(GHz)) dB Maxi |
| Voltage rating | | 335 Veff Maxi |
| Dielectric withstanding voltage | | 500 Veff mini |
| Insulation resistance | | 5000 MΩ mini |

| | |
|-----------------------|---------------------|
| Operating temperature | -65/+165 ° C |
| Hermetic seal | NA Atm.cm3/s |
| Panel leakage | NA |

OTHERS CHARACTERISTICS

Assembly instruction

Others :

* Coaxial Transmission Line Only

MECHANICAL CHARACTERISTICS

| | | |
|----------------------------|--|------------------------|
| Center contact retention | | |
| Axial force – Mating end | | 6.8 N mini |
| Axial force – Opposite end | | NA N mini |
| Torque | | NA N.cm mini |
| Recommended torque | | |
| Mating | | NA N.cm |
| Panel nut | | NA N.cm |
| Mating life | | 100 Cycles mini |
| Weight | | 0.720 g |

Issue : 0529 B

In the effort to improve our products, we reserve the right to make changes judged to be necessary.

